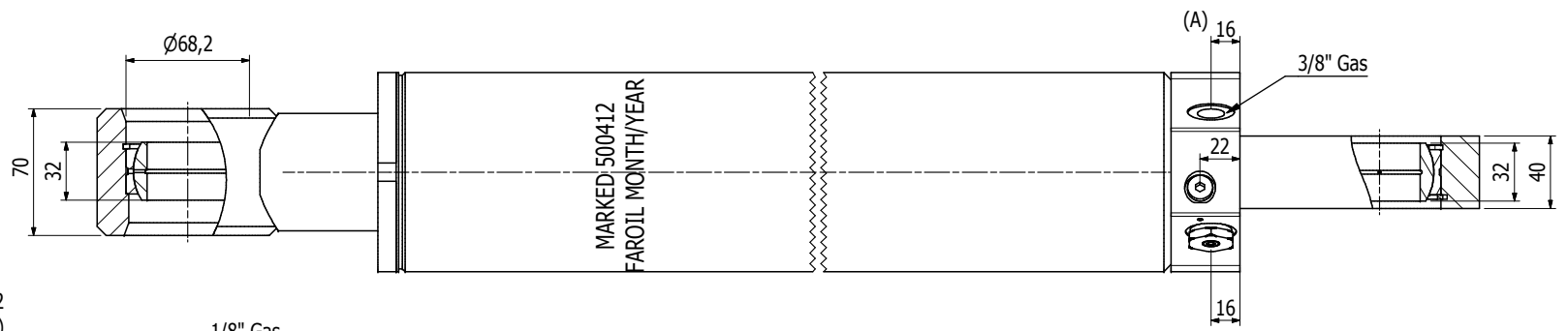
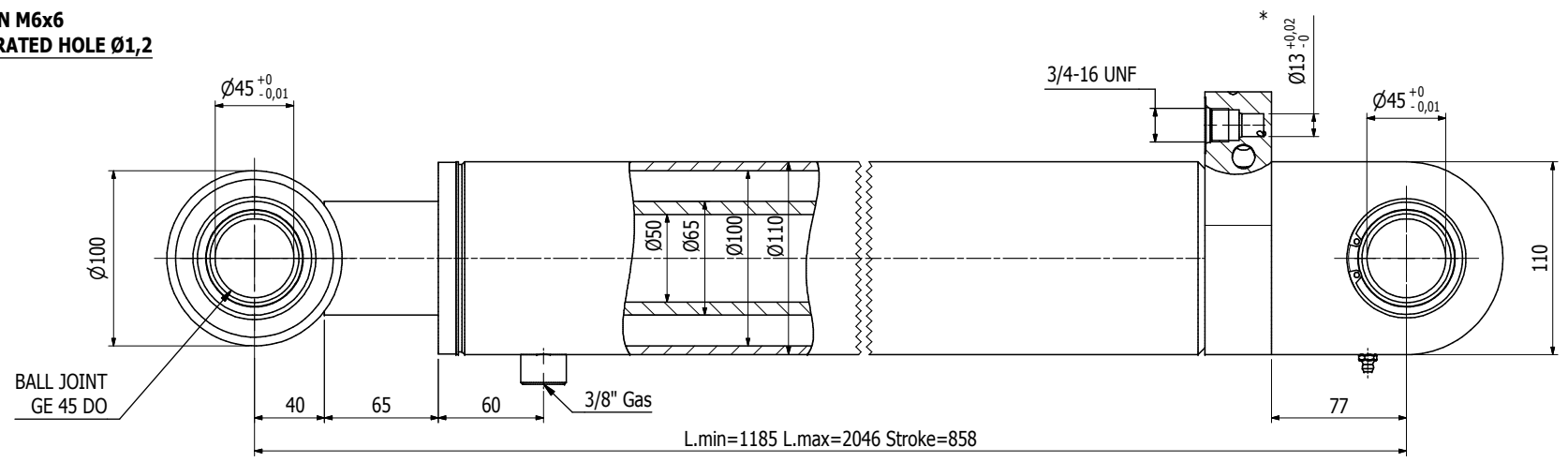
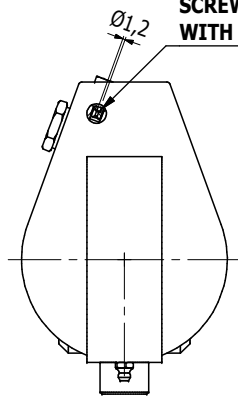
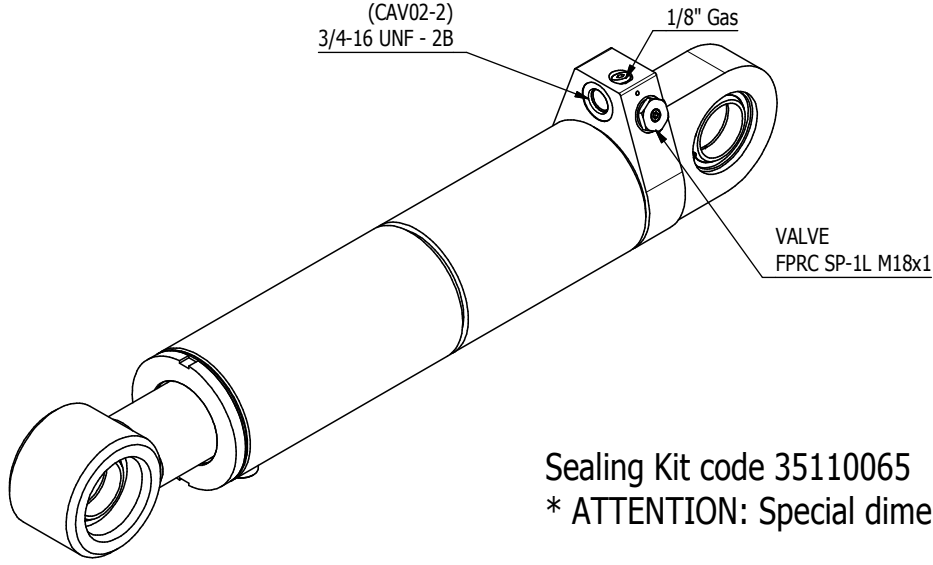


**ATTENTION!**  
**SCREWED PIN M6x6**  
**WITH CALIBRATED HOLE Ø1,2**



CAVITY C08-2  
 (CAV02-2)  
 3/4-16 UNF - 2B



Sealing Kit code 35110065  
 \* ATTENTION: Special dimension

PART	Material	Thickness of Chromium Plating	Hardness of Chromium plating	Roughness	Corrosion resistance (h) according to ISO10289	Drawing and technical data property of FAROIL srl
Rod	Ck45	>=20 µm	>=950 HV0,2	Ra<=0,2µm Rt <=2µm	120h NSS rating >=9	
Tube	E355	////	////	Ra<=0,4µm	////	
CUSTOMER APPROVAL				Painting: NOT PAINTED		Weight
APPROVED BY		APPROVAL DATE		Cylinder Marked FA MONTH/YEAR 500412		36,5 kg
Max Working Pressure 220 Bar. Working temperature from -30C to +100C Max working speed 0,5 m/s						
A	01/09/2016	Modified bottom		Donegà		
N°	DATE	MODIFICATION	DONE BY	N°	DATE	DONE BY
FAROIL hydraulic cylinders		ROTHLEHNER		CODE N°	INDEX	SCALE
TOLERANCE REF: DOC-A087		CYLINDER 100/65x858		DK5102		A
DOC-A116 Rev.C		CUSTOMER REF. 500412		DATE	DESIGNED BY	
					P.D.	
					E.B.	